

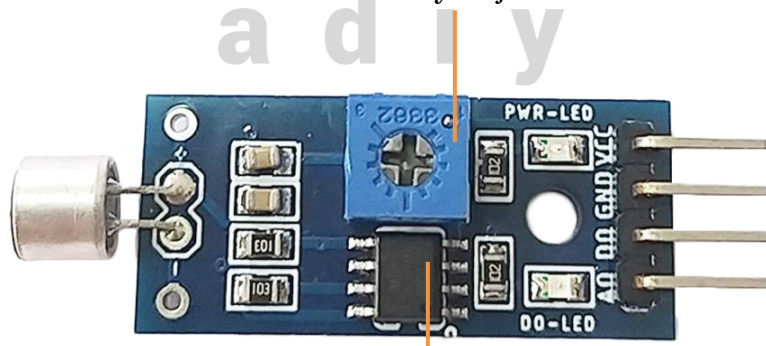
Description:

ADIY Sound Sensor is inexpensive, simple to use, and capable of detecting voice, claps, or door knocks. You can use them for a variety of sound-reactive projects, such as making your lights clap-activated or monitoring your pets while you're away.

The sound sensor is a small board that incorporates a microphone (50Hz-10 kHz) and some processing circuitry to convert the sound wave into an electrical signal.

This electrical signal is fed to the on-board LM393 High Precision Comparator, which digitizes it and makes it available at the OUT pin.

Sensitivity Adjustment



LM393 Comparator

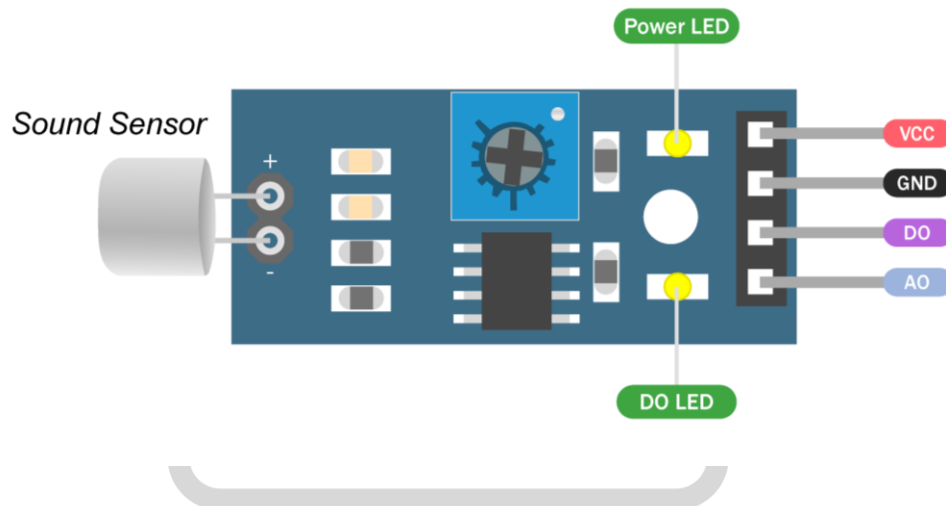
The module includes a potentiometer for adjusting the sensitivity of the OUT signal.

You can use it to set a threshold, so that when the amplitude of the sound exceeds the threshold, the module outputs LOW, otherwise HIGH.

This setup is very useful for triggering an action when a certain threshold is reached. For example, when the amplitude of the sound exceeds a threshold (a knock is detected), you can activate a relay to control the light.

The module also includes two LEDs. The Power LED illuminates when the module is turned on, and the Status LED illuminates when the sound level exceeds the threshold value.³

Pin Configuration:



VCC: 5V Power supply

GND: Ground supply

DO: Digital Output

AO: Analog Output

Application:

- Home automation
- Security and Monitoring systems